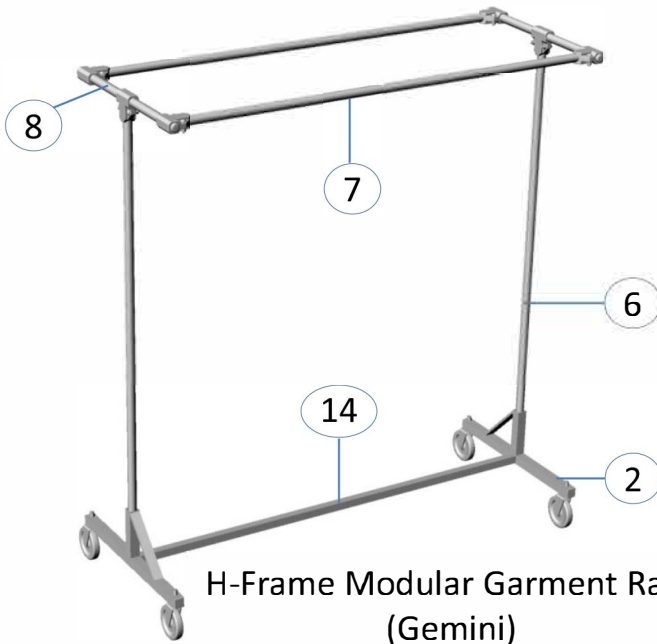


Assembly Instructions

Tools Required: Adjustable wrench (or 1/2, 11/16, box wrench), hammer.



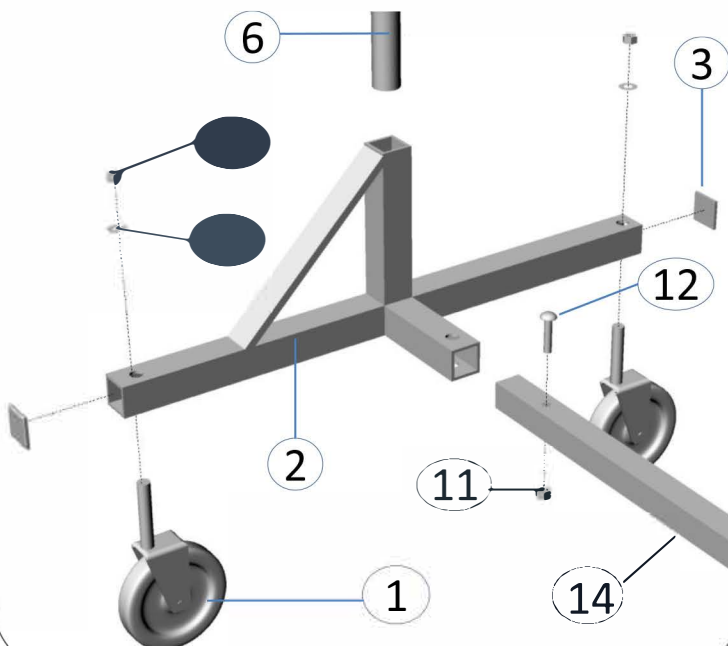
H-Frame Modular Garment Rack  
(Gemini)

PARTS LIST

1. Stem Swivel Caster (x4)
2. H - Frame End Unit (x2)
3. Square End Caps (x4)
4. 7/16" Lock washer (x4)
5. 7/16" Hex Nut (x4)
6. Upright Bar (x2)
7. Top Rail Bar (x2)
8. 22.5" Cross Bar (x2)
9. 3/8" Carriage Bolt (x12)
10. 1"x1" Brace Clamp (x6 / 12 pieces)
11. 3/8" Kep Nut (x14)
12. 5/16" Hex Head Bolt (x2)
13. Round End Caps (x4)
14. Cross Bar (x1)

Assembly Instructions – Bottom

1. Insert Casters (1) into frame (2)
2. Tighten 7/16" lock washer (4) and 7/16" hex nut (5).
3. Insert Square end caps (3) into Frame.
4. Fasten H-Frame end unit (2), Fasten Cross Bar (14) and assemble with 3/8" Hex Head Bolt (12) and 3/8" Kep Nut (11).



Assembly Instructions – Hang Rail

1. Assemble top hang rail assembly (7) and (8) using brace clamps (10), 3/8" carriage bolts (9) and 3/8" kep nuts (11).
2. Insert round end caps (13) into cross bar (8).
3. Insert uprights (6) into base and attach the top rail assembly with brace clamps (10) and carriage bolts (9) and kep nuts (11).

