

# Assembly Instructions



1-877-637-3712

## PARTS LIST

1. Stem Swivel Caster (x4)
2. H Frame Ends (x2)
3. Square End Cap (x4)
4. 7/16" Lock Washer (x4)
5. 7/16" Hex Nut (x4)
6. Square Cross Bar (x1)
7. Upright Bar (x2)
8. Top Rail Bar (x1)
9. 5/16" Carriage Bolt (x4)
10. 1"x1" Brace Clamp (x2 / 4 pieces)
11. 5/16" Kep Nut (x6)
12. 5/16" Hex Head Bolt (x2)
13. Round End Caps (x2)

## ASSEMBLY INSTRUCTIONS

1. Insert H Frame ends (2) into square cross bar (6). Attach using two 5/16" x 2" hex head bolts (12) and two 5/16" keps (11). (Figure 1)
2. Insert casters (1) into H frame (2), and tighten with 7/16" lock washer (4) and 7/16" hex nut (5). (Figure 2)
3. Insert upright bars (7) into frame (2). (Figure 2)
4. Attach top rail bar (8) using brace clamps (10), 5/16" carriage bolts (9) and 5/16" keps (11). Attach brace clamps on both sides of the top rail bar. (Figure 3)
5. Insert square end caps (3) into frame opening (2), and round end caps (13) into top of upright bars (6). End caps will need to be hammered on. (Figure 4)

H Fram Garment Rack (Single Rail)

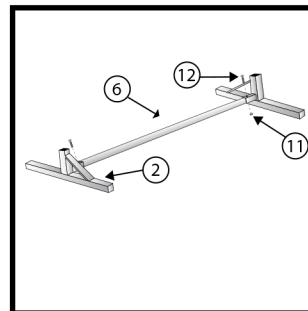
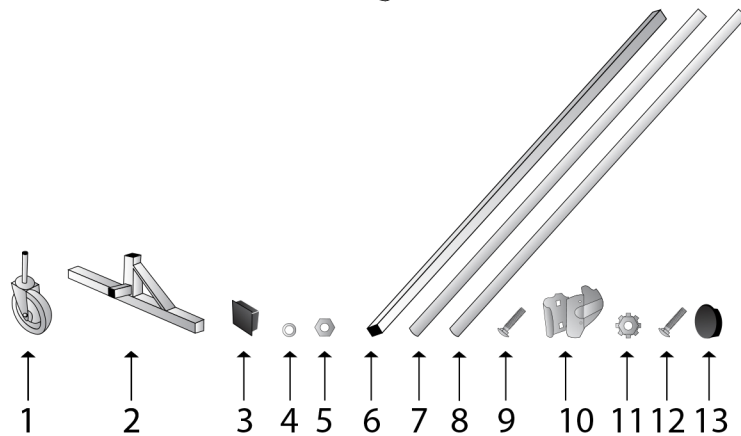
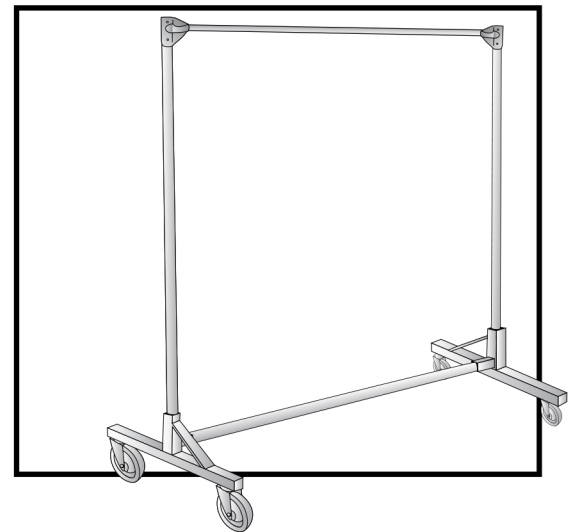


Figure 1

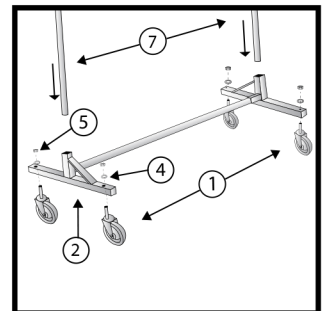


Figure 2

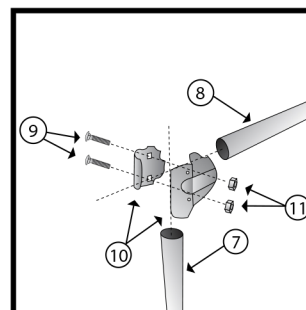


Figure 3

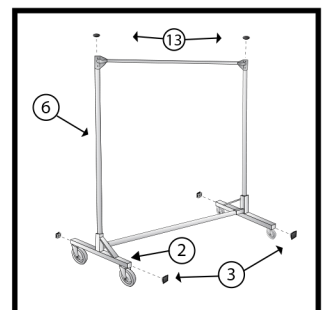


Figure 4

Tools Required: Adjustable wrench (or 1/2, 11/16 box wrench), hammer.